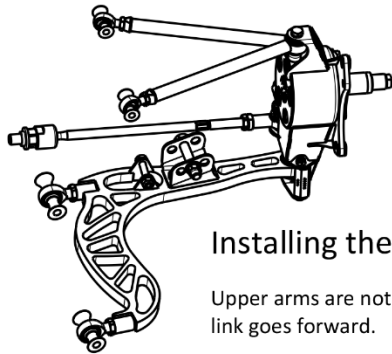


## Mazda RX7 installation guide

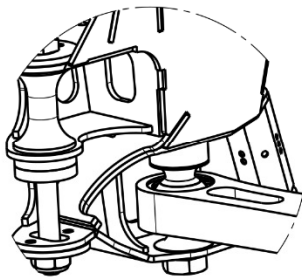
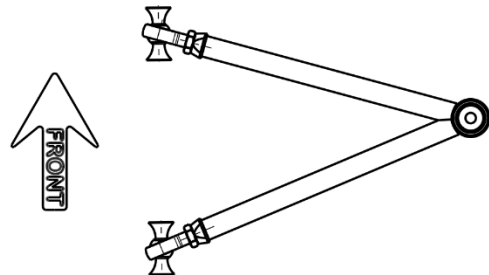
### Overall view of assembled components in the right corner

All lengths ( exc. tie rod ) are pre set by WiseFab. No need to adjust before alignment.



### Installing the upper A arms

Upper arms are not symmetrical. The shorter link goes forward.



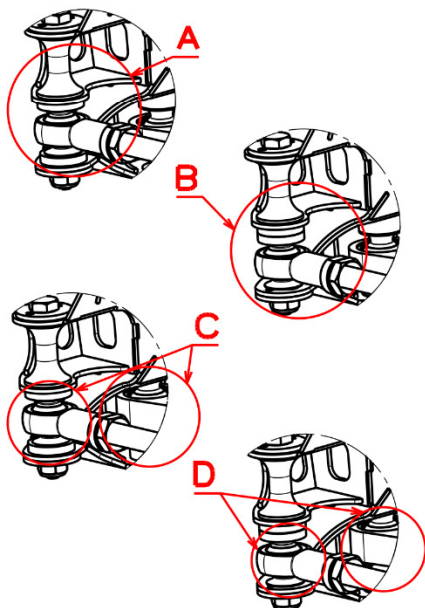
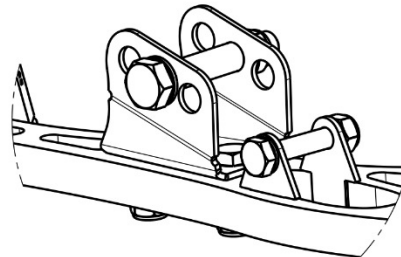
### Installing the lower arms.

Arm must be installed to the lower position. Mount arms with stock bolts, we recommend using new ones. The lower A-arms top bushing can be relocated only if the rack is lowered. Look at the chapter below (Installing the tierods).

### Adjusting suspension stiffness

You can adjust motion ratio (ride/roll stiffness) by changing the coilover mounting point on arm. Moving it outwards, ride/roll will be stiffer. Moving it inwards, ride/roll will be softer.

There is also ARB mount on the arm



### Installing the tierods

\*Install the tierod to the lower position between 5mm washers (fig. A).

#### Lowering the rack:

\*If the rack is lowered 5mm from original position then install both 5mm washers on top of the tierod (fig. B).

\*If the rack is lowered 10mm, then keep the tierod in the middle and move the A arm 10mm bushing below the spherical joint (fig. C).

\*If the rack is lowered 15mm, then install both 5mm washers on top of the tierod and move the A arm 10mm bushing below the spherical joint (fig. D).

### Recommended alignment specs

Camber: 5 +/- 0,3

Caster: 4 +/- 0,3

Toe: 0



If you still have some trouble installing the kit, contact us at

[sales@wisefab.com](mailto:sales@wisefab.com), or call us +372 5562 5669