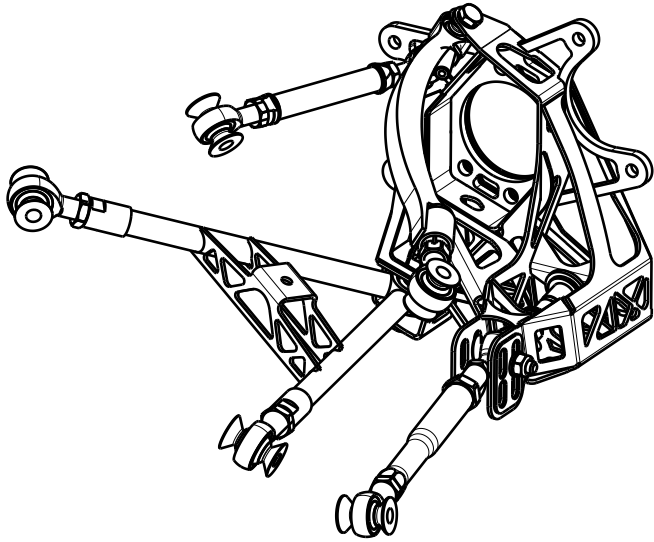


Nissan S-Chassis Installation Guide

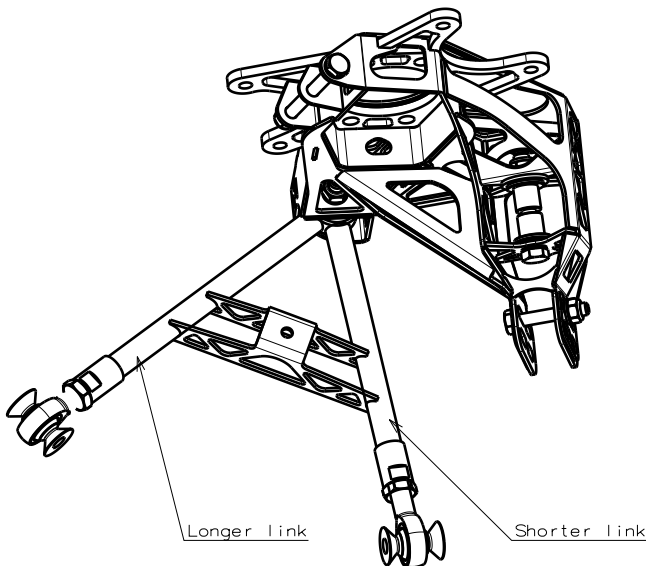
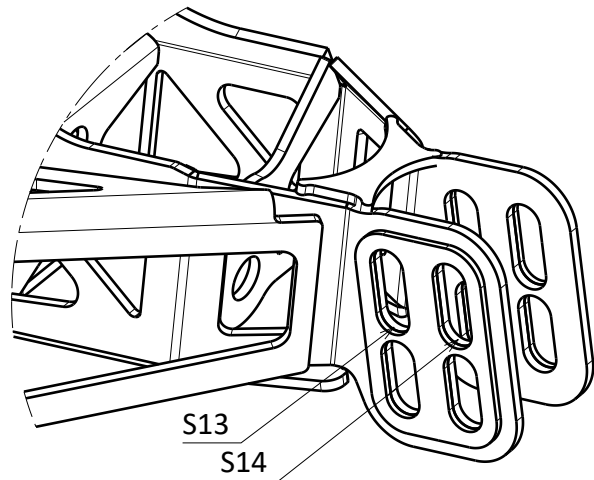


Overall view of assembled components in the right corner

All lengths are pre set by Wisefab.
No need to adjust before alignment.

Installing the toe arm

Holes are oval for adjusting bumpsteer.
If bumpsteer is not measured leave the arm 5mm up from the bottom of the upper adjustment slot.



Installing the lower A arms.

When installing the lower A arms, make sure that the longer link is facing forward and ARB mounting point is upwards

Recommended alignment specs

Camber: -0,5deg
Toe: 3-10mm toe in/per side

IMPORTANT!

If the kit is installed check the clearance between car body, suspension components and the wheel with tire in all extent of the suspension travel. For that the spring needs to be removed. If there is clearance issues then change your wheel alignment or limit the suspension travel.

**FOR RACING
USE ONLY**



If you still have some trouble installing the kit, contact us at sales@wisefab.com, or call us +372 5562 5669